

XRGI X-Ray Tubeshield



- Compatible with X-Ray diffraction tube
- Water cooling
- No filter
- Radiation safe

Tubeshield with up to 4 window shutters

XRGI X-Ray Tubeshield

is available in different configurations:
tubeshield with 1 window shutter for line or point focus,
tubeshield with up to 4 window shutters.

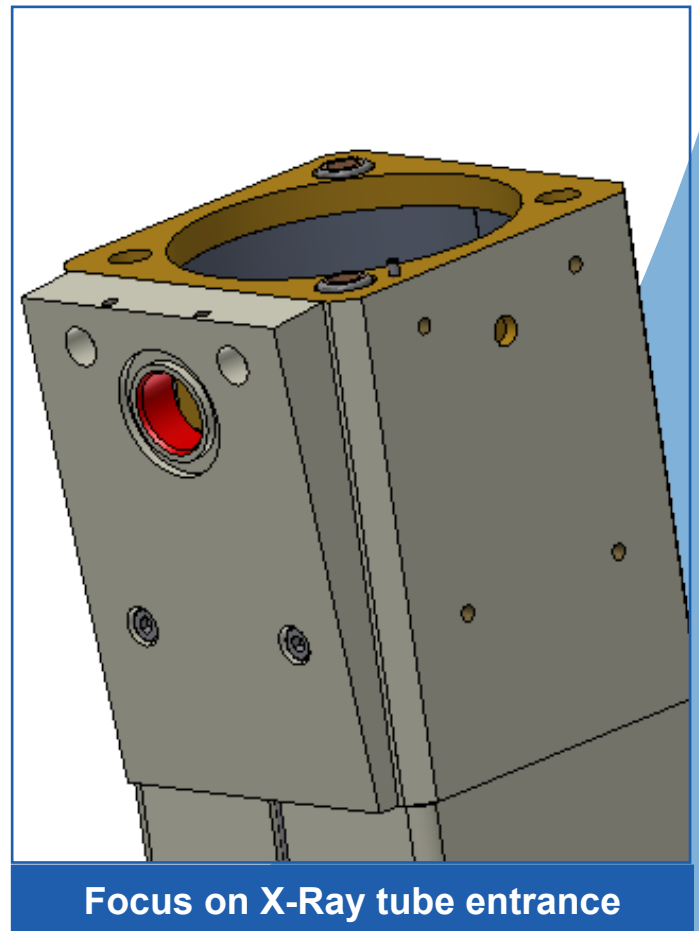
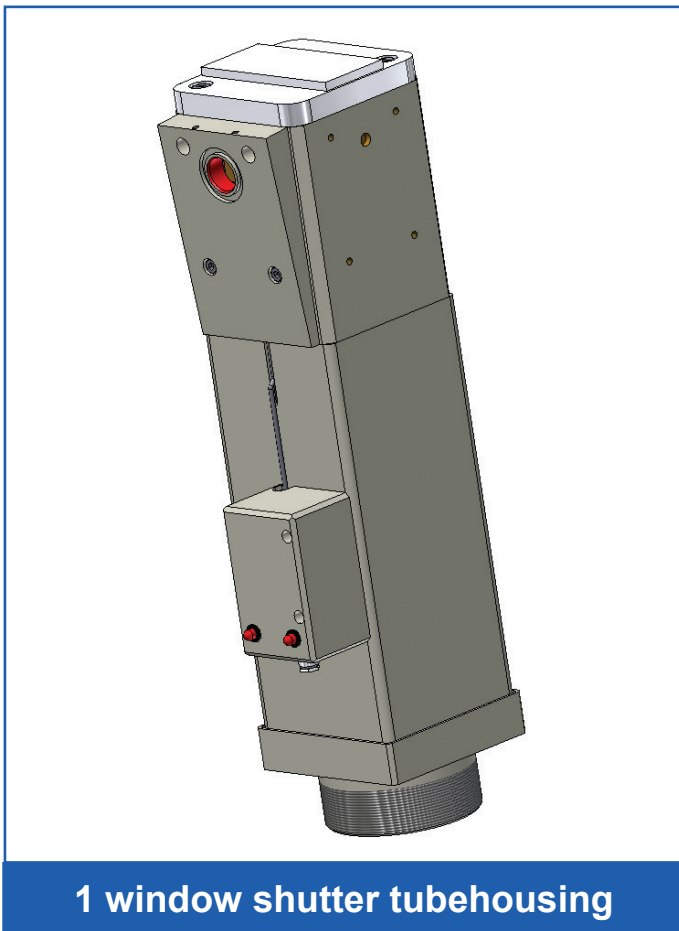
The different types of tubeshields can accommodate short or long anode X-Ray tubes (long anode version requires a distance ring).



Focus on parts

Description

- Each tubeshield has four sides and each one can be equipped with a line or a point focus shutter assembly. The number of shutter assemblies is coded by an x from 1 to 4 according to the output window. Non-used sides of the tube housing are closed.
- A sensor is part of the control circuit of the electrically-operated shutter. The open shutter-position is indicated by a red LED situated on the tubehousing in a fail-safe system.
- Installation in all configurations: vertical, horizontal or special set-up.
- X-Ray leakage : $<0,1 \mu\text{Sv/h}$ at 10 cm (French norm is $<1 \text{ Sv/h}$ at 10 cm)



Associated Product
XRG3500 / XRG3D
High Voltage Generator

